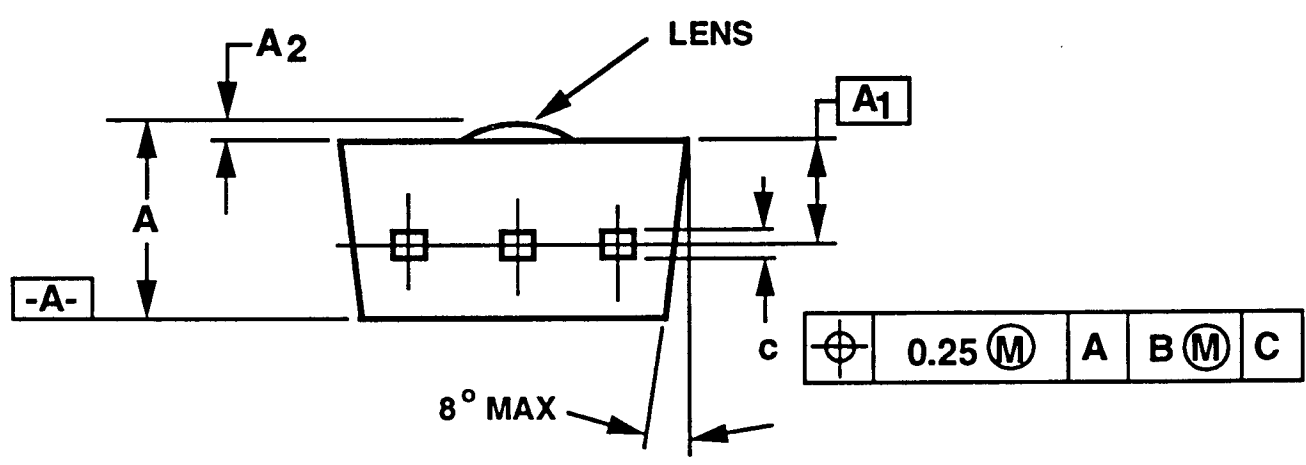


\varnothing	0.25 (M)	A	B (M)	C
---------------	----------	---	-------	---



\varnothing	0.25 (M)	A	B (M)	C
---------------	----------	---	-------	---

JEDEC SOLID STATE PRODUCT OUTLINES	TITLE: R-PSFM-F	ISSUE	DATE:	TO-266
	OPTO FAMILY INSERTION MOUNT (PERIPHERAL TERMINALS)	A	4-94	

NOTES:

1. REFER TO APPLICABLE SYMBOL LIST.

2. DIMENSIONING AND TOLERANCING PER ANSI Y14.5M-1982.

3. DIMENSIONS b_1 AND c_1 APPLY TO BASE METAL ONLY. DIMENSIONS b & c APPLIES TO LEAD WIDTH FINISH.

4. DIMENSIONS IN SECTION A-A APPLY BETWEEN 2.5 TO 4 mm FROM THE LEAD TIPS.

5. THIS PACKAGE IS AVAILABLE AS 2 LEADED DEVICE, CENTER LEAD MAY BE OMITTED.

6. ALL DIMENSIONS IN MILLIMETERS.

VARIATIONS

AA

SYMBOL	VARIATIONS			NOTES
	MIN	NOM	MAX	
A	2.13	2.47	2.81	
A1		1.27 BSC		
A2	0.10	0.20	0.40	
b	0.43	-	0.66	3
b_1	0.43	0.52	0.61	3
c	0.22	-	0.61	3
c_1	0.22	0.39	0.56	3
D	3.55	3.81	4.07	
D1		2.54 BSC		
E	4.31	4.57	4.83	
e		1.27 BSC		
L	14.60	15.55	16.51	
ØP	1.52	1.73	1.94	

NOTE 1, 2, 5, 6

REF. 10-336

ISSUE A

JEDEC SOLID STATE PRODUCT OUTLINES	TITLE: R-PSFM-F OPTO FAMILY INSERTION MOUNT (PERIPHERAL TERMINALS)	ISSUE A	DATE 4-94	TO-266	SHEET 2 OF 2