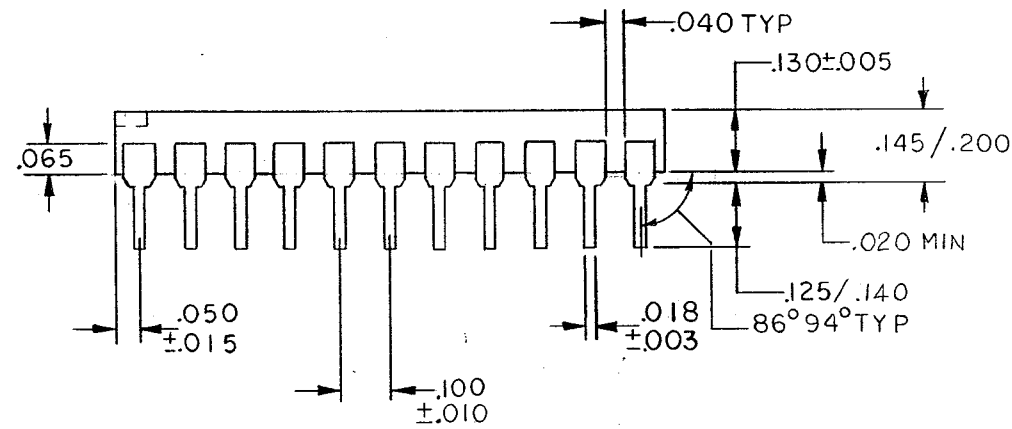
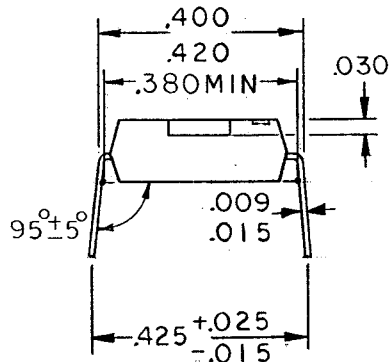
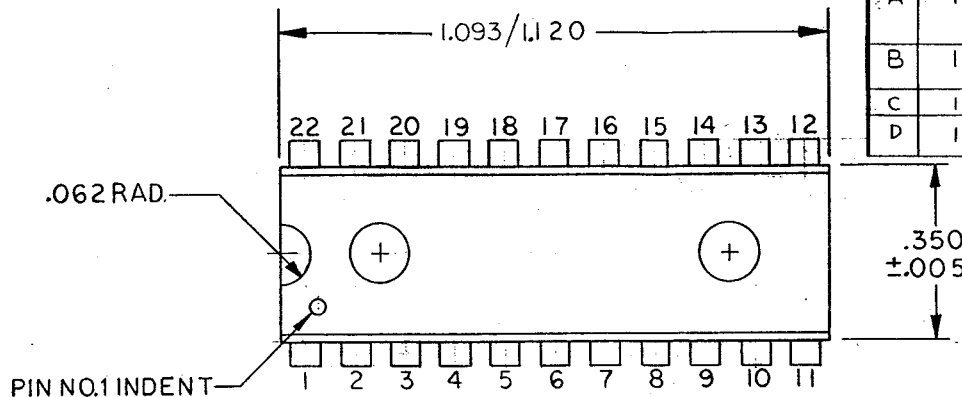


REVISIONS

REV.	SHEET	DESCRIPTION	E.C.O.	DATE	APPROVED
⊕	1	NEW DRAWING	D-0127	4-18-73	Ruth
A	1	ADDED .380 MIN. OR COPPER TO NOTE AND MKT TO DWG NO.	D 3502	12-11-78	<i>[Signature]</i>
B	1	ADDED 95° ± 5° AND 86°/94° TYP	D 3792	3-23 79	Joe Weber
C	1	ADDED EJECTOR PINS	00110	7.19.83	<i>[Signature]</i>
D	1	BKG LENGTH WAS 1.120 MAX, ADDED .145/.200, .125/.140 WAS .125 MIN	00842	11.22.83	<i>[Signature]</i>



STANDARD LEAD FINISH:
200 μ" MINIMUM LEAD/TIN 37/63
ON ALLOY 42 OR EQUIVALENT,
OR COPPER

COMPANY PRIVATE				National Semiconductor Corporation 2900 Semiconductor Drive, Santa Clara, Calif. 95051	
DRAWN: M.MACIEL	DATE: 3-12-73	APPROVED: RDH	DATE: 3-10-73	22-LEAD MOLDED DIP (N)	
CHECKED:	DATE:	APPROVED: RHH	DATE:		
ENGINEER:	DATE:	RELEASED: <i>[Signature]</i>	DATE: 5/4	B MKT-N22A	
				SHEET 1 OF 1	REV. D