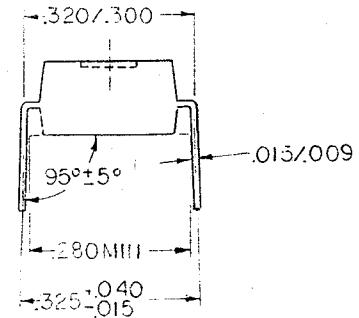
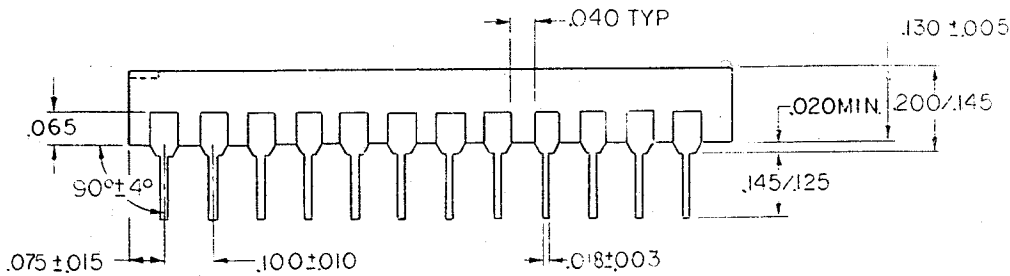
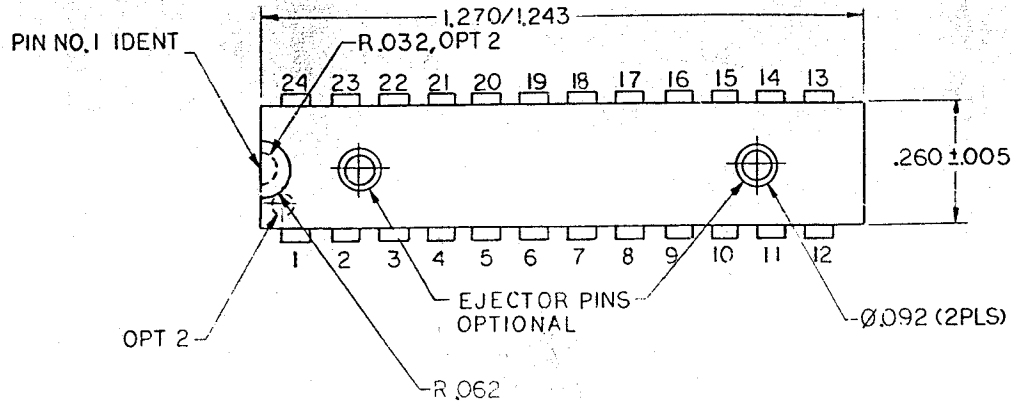


THIS DRAWING IS THE PROPERTY OF NATIONAL SEMICONDUCTOR CORPORATION. NO USE THEREOF SHALL BE MADE OTHER THAN AS A REFERENCE FOR PROPOSALS AS SUBMITTED TO NATIONAL SEMICONDUCTOR CORPORATION FOR JOBS TO BE EXECUTED IN CONFORMITY WITH SUCH PROPOSALS UNLESS THE CONSENT OF SAID NATIONAL SEMICONDUCTOR CORPORATION HAS PREVIOUSLY BEEN OBTAINED. NO PART OF THIS DRAWING SHALL BE COPIED OR DUPLICATED OR ITS CONTENTS DISCLOSED. THE INFORMATION CONTAINED ON THIS DRAWING IS CONFIDENTIAL AND PROPRIETARY.

REVISIONS				
LTR	DESCRIPTION	E.C.N.	DATE	BY/APP'D
F	LEAD SPREAD WAS: 325 <sup>+0.25</sup> <sub>-0.15</sub>	01697	6-25-84	



1 STANDARD LEAD FINISH:  
200µ INCH MINIMUM LEAD/TIN 37/63  
OR COPPER.

NOTES: UNLESS OTHERWISE SPECIFIED

MIL-38510

CONFIDENTIAL

UNLESS OTHERWISE SPECIFIED  
DIMENSIONS ARE IN INCHES.  
TOLERANCES ARE:  
DECIMALS: .XX ±  
.XXX ±  
.XXXX ±  
ANGLES: N/A  
MATERIAL N/A  
FINISH N/A  
DO NOT SCALE DRAWING

APPROVALS	DATE
DRAWN O CAMPBELL DFTG. CHK. ENGR. CHK. APPROVAL MATERIAL FINISH	6-24-84 7-2-84       

NATIONAL SEMICONDUCTOR CORPORATION  
2900 Semiconductor Drive, Santa Clara, Calif. 95051

24 LEAD SKINNY DIP (SD)  
300 CENTERS MOLDED DIP (N)

SCALE	SIZE	DRAWING NUMBER	REV
5X1	C	MKT-N24C	F

FORMERLY: SHEET 1 OF 1