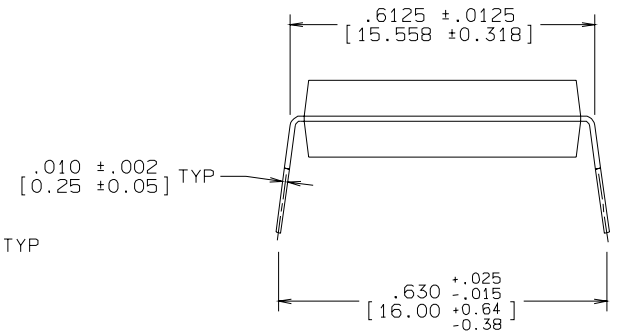
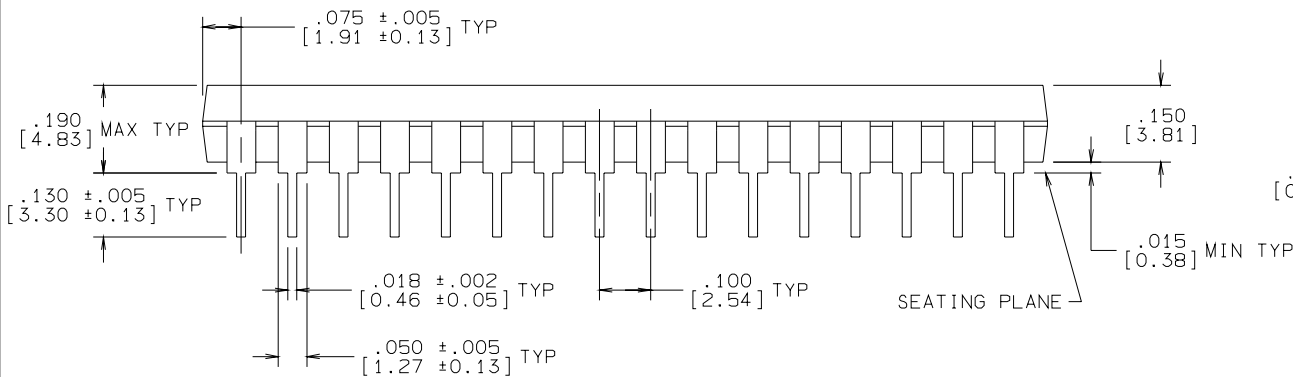
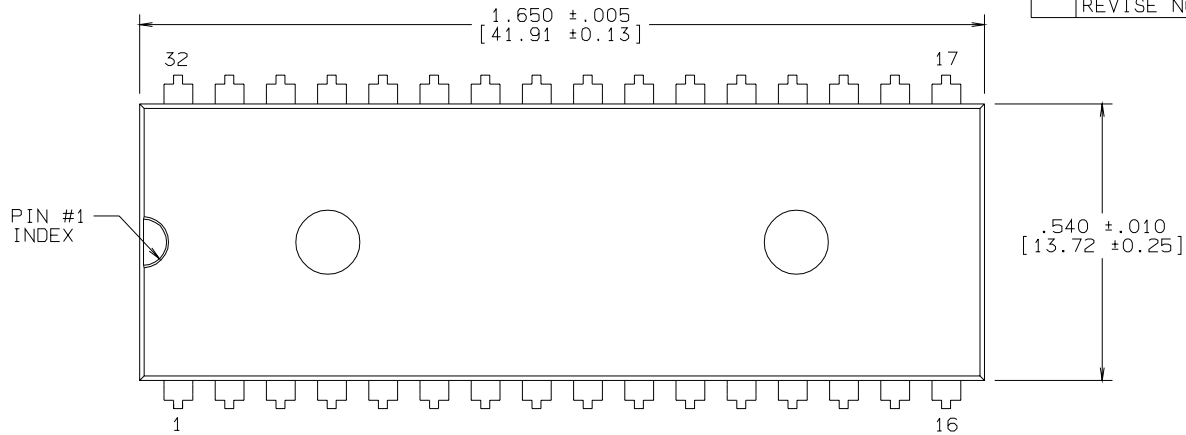


R E V I S I O N S				
LTR	DESCRIPTION	E. C. N.	DATE	BY/APP'D
A	RELEASE TO DOCUMENT CONTROL	09538	02/26/93	TL/DP
B	CHANGE LIMIT DIM'S TO NOM ± TOL DIM'S; LD PITCH WAS BASIC DIM; REVISE NOTE 2.	09941	09/02/93	MS/



NOTES: UNLESS OTHERWISE SPECIFIED

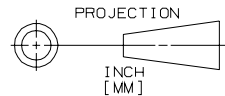
- STANDARD LEAD FINISH:
200 MICROINCHES / 5.08 MICROMETERS MINIMUM
LEAD/TIN: 37/63 OR 15/85 ON ALLOY 42 OR COPPER.
- REFERENCE JEDEC REGISTRATION MO-015, VARIATION AP,
DATED 11/89; REFERENCE ANAM DWG #00255,
REV 02, DATED 8/27/88.

CONTROLLING DIMENSION: INCH

APPROVALS	DATE
DRAWN T. LEQUANG	02/26/93
DFTG. CHK.	
ENGR. CHK.	
APPROVAL	

 NATIONAL SEMICONDUCTOR CORPORATION
2900 Semiconductor Drive, Santa Clara, CA 95052-8090

MOLDED DIP,
32 LEAD, .600 CENTERS,
SUBCONTRACTOR PKG



SCALE	SIZE	DRAWING NUMBER	REV
N/A	B	MKT-NA32A	B
DO NOT SCALE DRAWING		SHEET 1 OF 1	