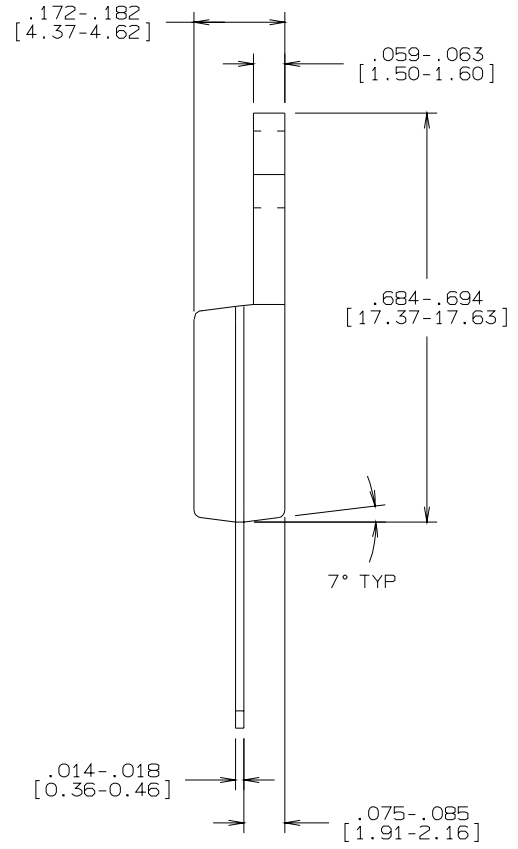
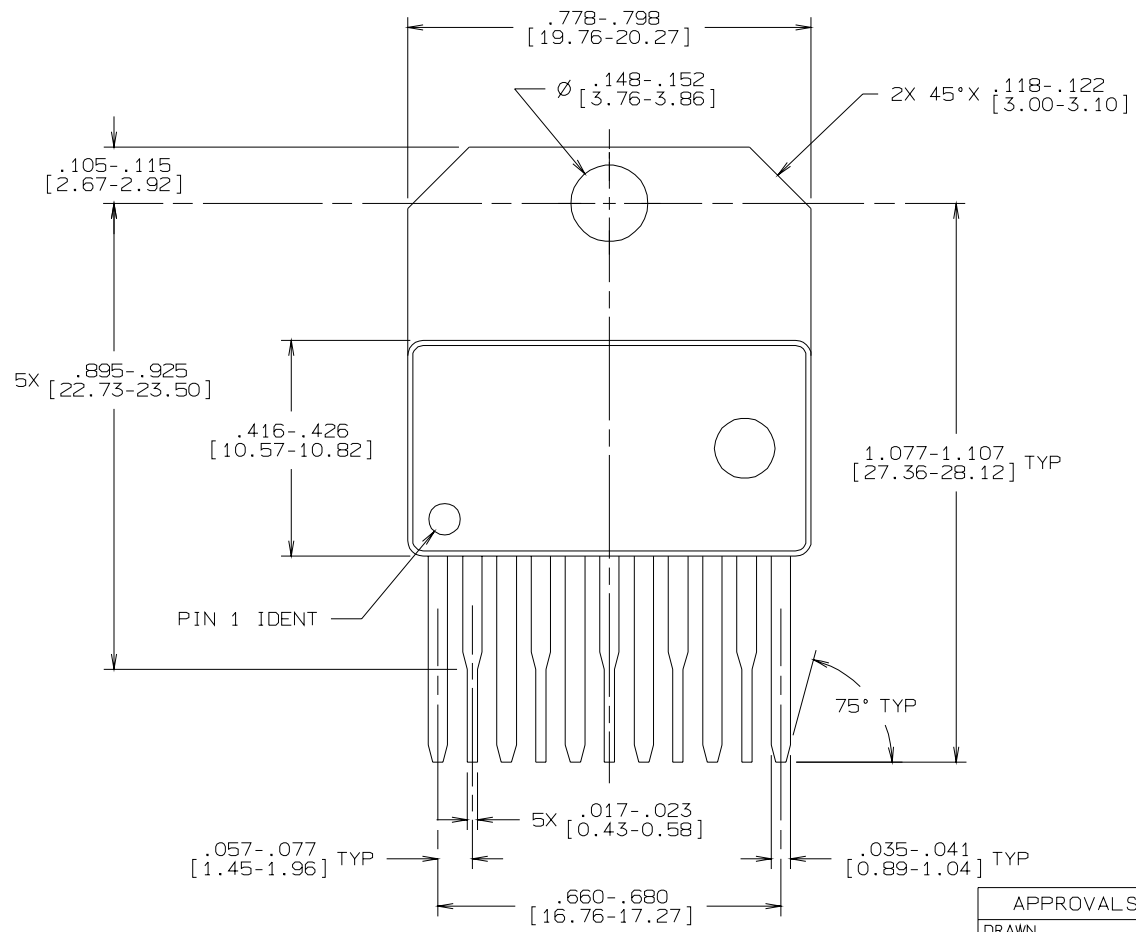


REVISIONS				
LTR	DESCRIPTION	E.C.N.	DATE	BY/APP'D
A	RELEASE TO DOCUMENT CONTROL	08568	05/03/91	TL/



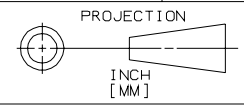
NOTES: UNLESS OTHERWISE SPECIFIED
 1. STANDARD LEAD FINISH:
 200 MICROINCHES / 5.08 MICROMETERS MINIMUM
 LEAD / TIN (SOLDER) ON COPPER.

CONTROLLING DIMENSION: INCH

APPROVALS	DATE
DRAWN <i>T. LEQUANG</i>	05/03/91
DFTG. CHK.	
ENGR. CHK.	
APPROVAL	

 NATIONAL SEMICONDUCTOR CORPORATION
 2900 Semiconductor Drive, Santa Clara, CA 95052-8090

TO-220,
 MOLDED, 11 LEAD,
 STRAIGHT, EVEN



SCALE	SIZE	DRAWING NUMBER	REV
N/A	B	MKT-TA11D	A
DO NOT SCALE DRAWING		SHEET 1 OF 1	