

Part # **PLCC32**

Leads **32** Pitch **1.27mm (50mils)**

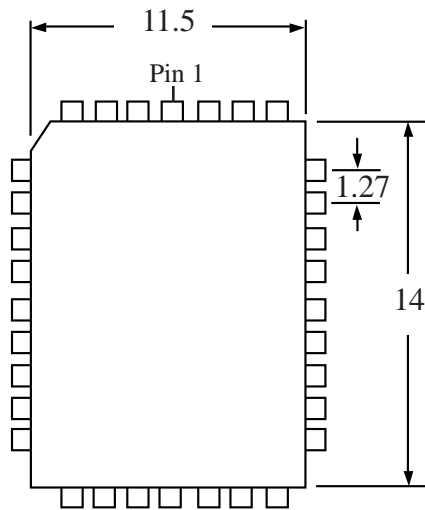
Body Size **11.5mm x 14mm (.45" x .55")**

Dwg PLCC32.pdf

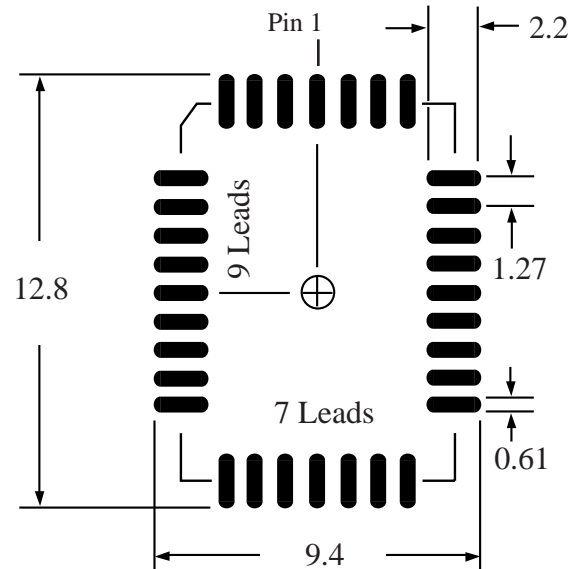
TopLineTM

Tel 1-714-898-3830

info@topline.to

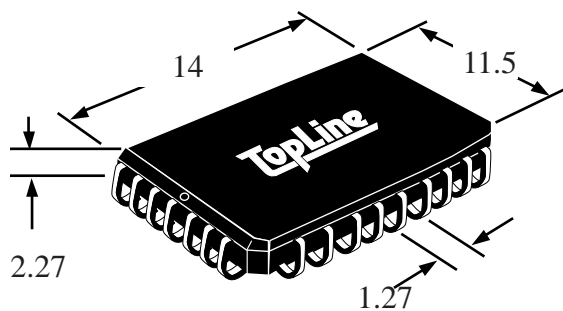


Top View

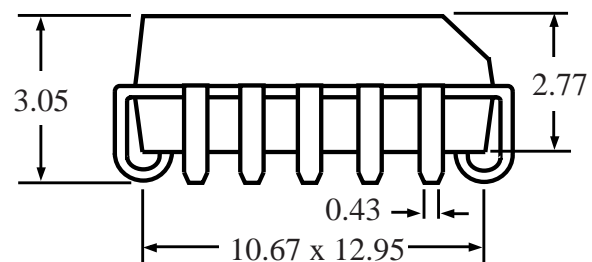


PC Board

Dimensions = mm



Quick View



Side View Detail