

Part # **PLCC44**

Leads **44** Pitch **1.27mm (50mils)**

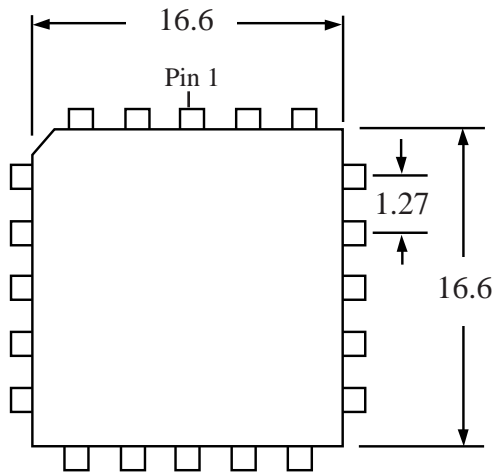
Body Size **16.6mm (.652" SQ)**

Dwg **PLCC44.pdf**

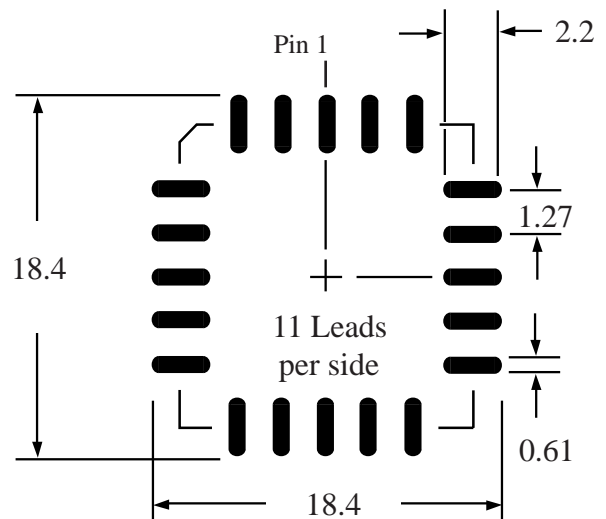
TopLineTM

Tel 1-714-898-3830

info@topline.to

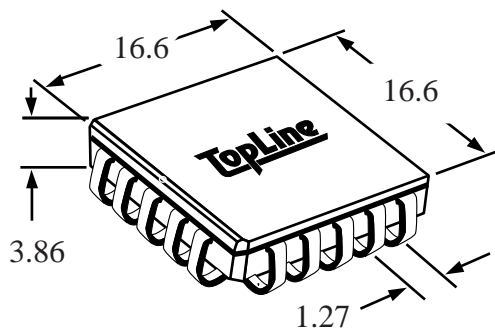


Top View

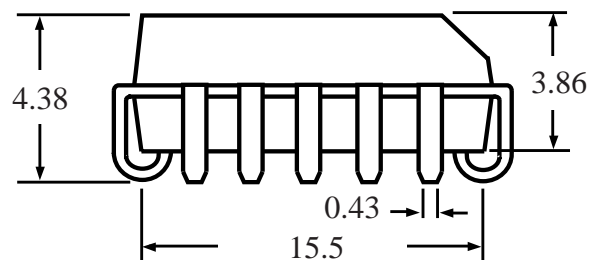


PC Board

Dimensions = mm



Quick View



Side View Detail